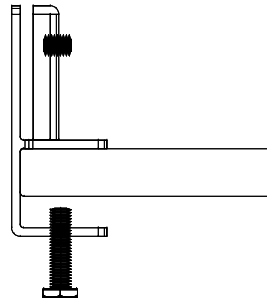
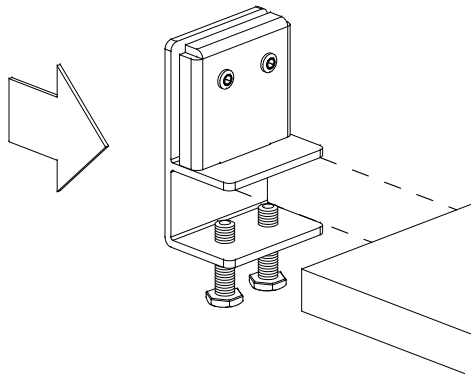
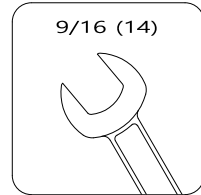
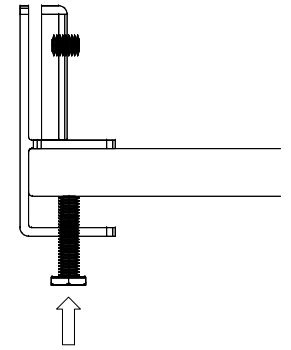
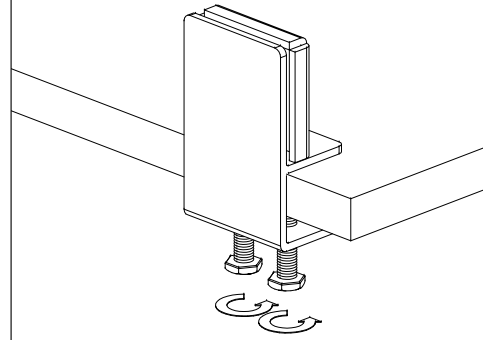


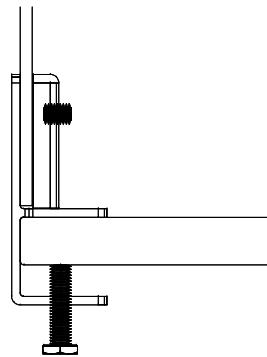
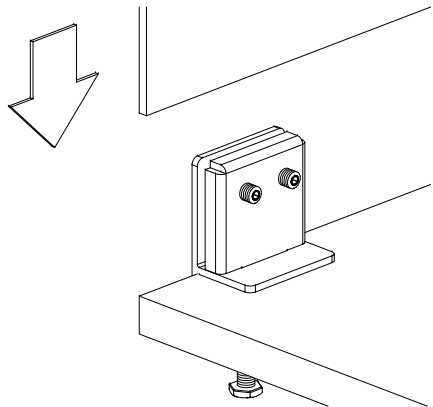
1 Set mount at desired location



2 Tighten hex bolts



3 Insert acrylic panel



4 Tighten nylon set screws

