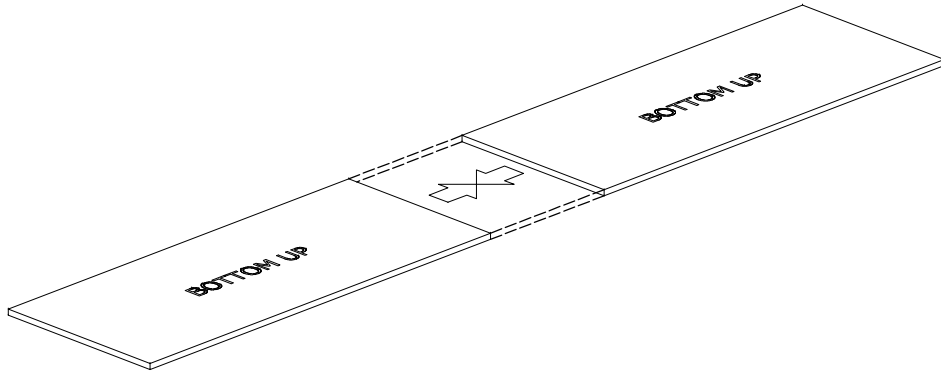
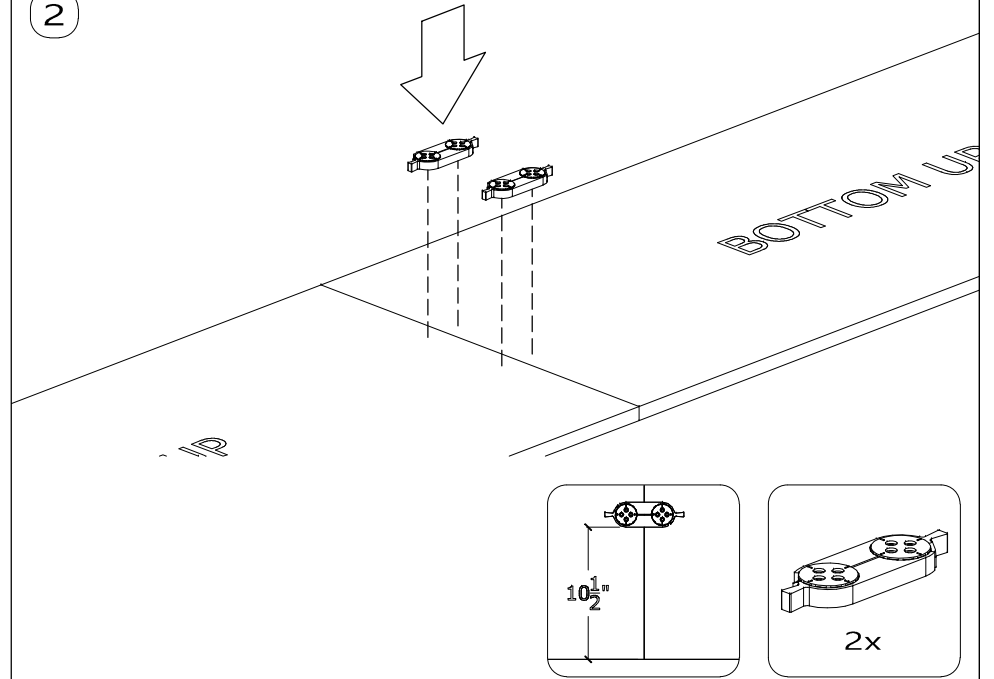


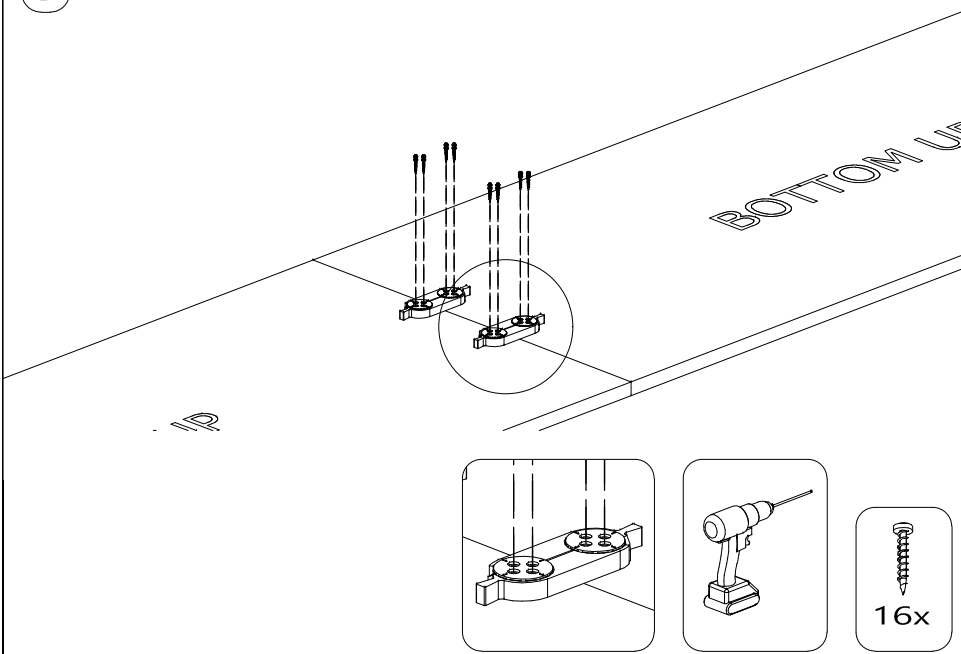
1 ENSURE FLOOR IS CLEAR OF DEBRIS



2



3



4

