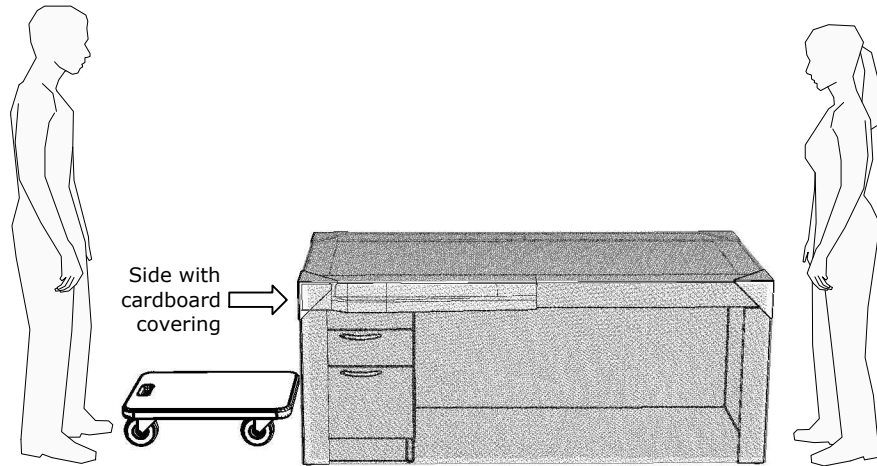
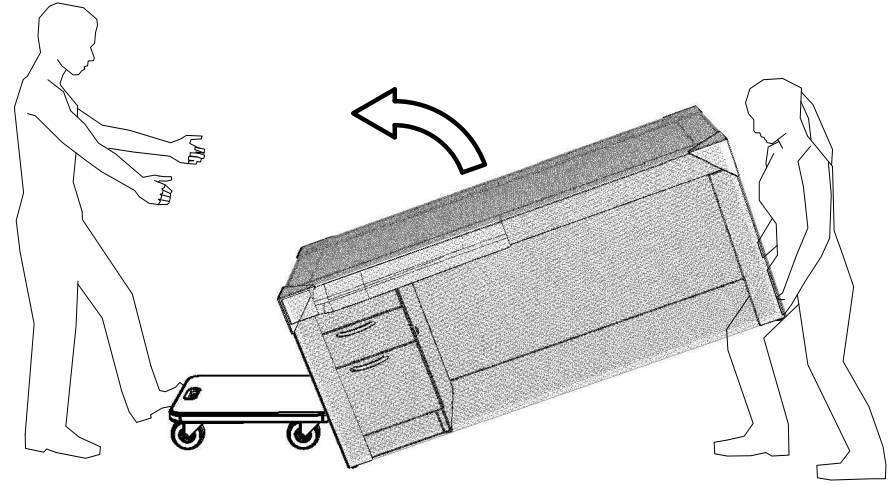


1 It takes two

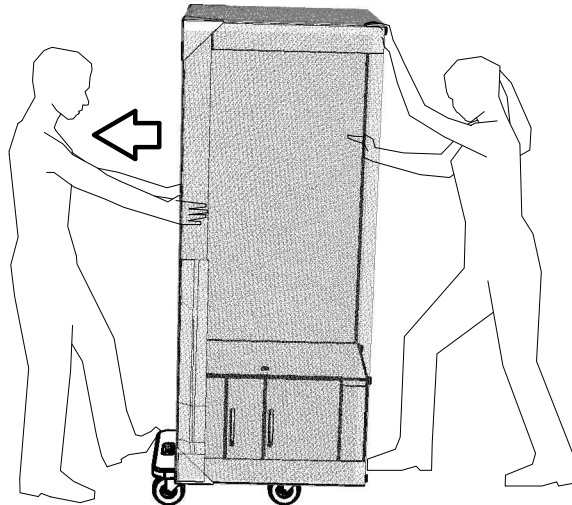
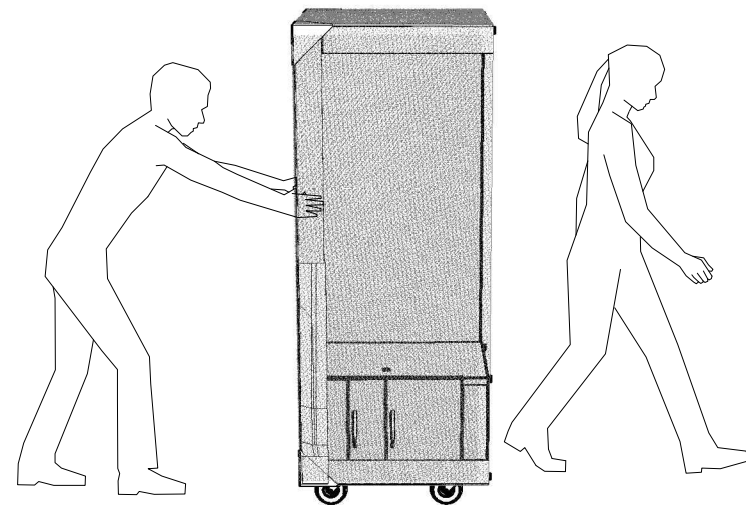
Please consult with your safety adviser for any question. Wear all necessary protective gears before performing the task. Make sure all doors and drawers are locked or taped to avoid accidental opening during transportation.

**2** Lift one end

Make sure the heavy side is at bottom. Use your legs, not your back. Ask for extra help if item is too heavy.

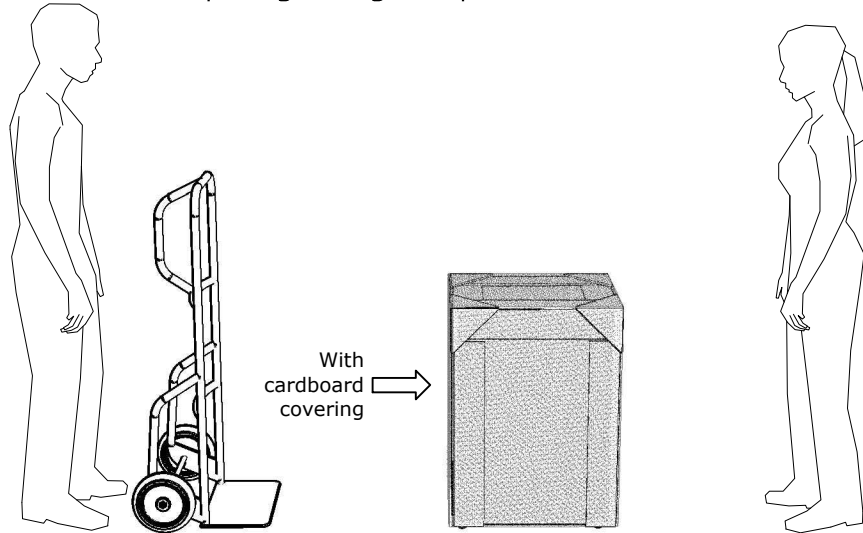
**3** Center on cart

Make sure item is balanced on cart before moving.

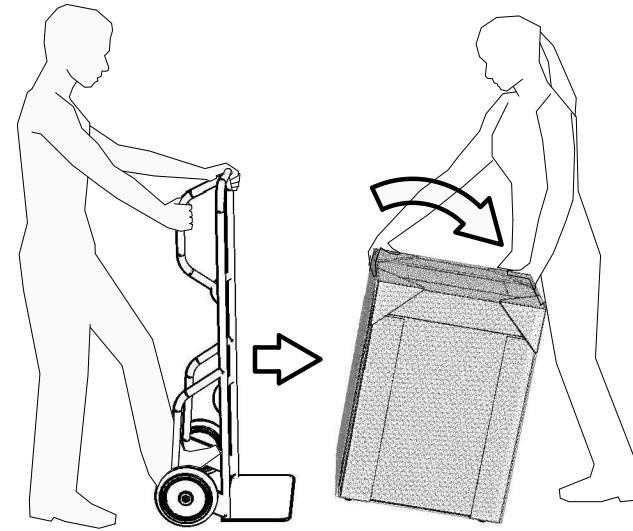
**4** Ready to move

1 It takes two

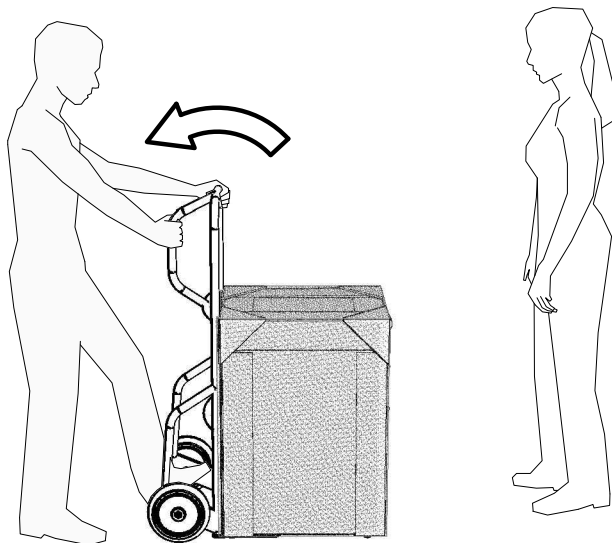
Please consult with your safety adviser for any question.
Wear all necessary protective gears before performing the task.
Make sure all doors and drawers are locked or taped to avoid accidental opening during transportation.

**2** Insert the cart

Use your legs, not your back. Ask for extra help if item is too heavy.

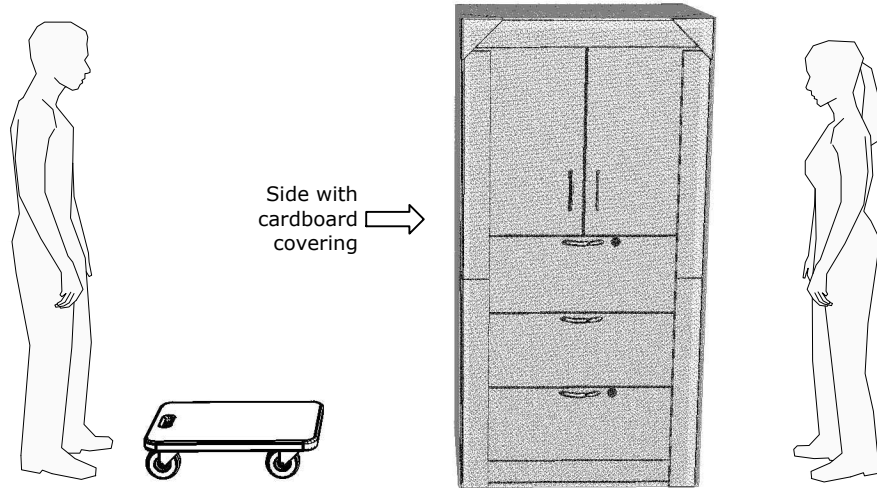
**3** Tilt the cart

Make sure item is balanced on cart before moving.

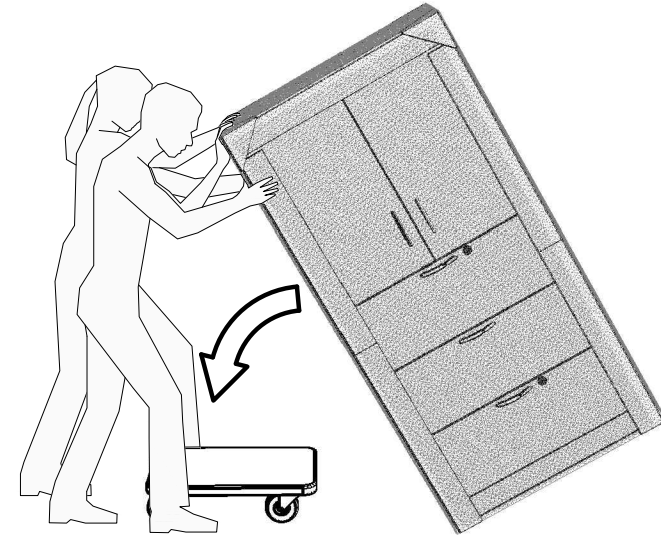
**4** Ready to move

1 It takes two

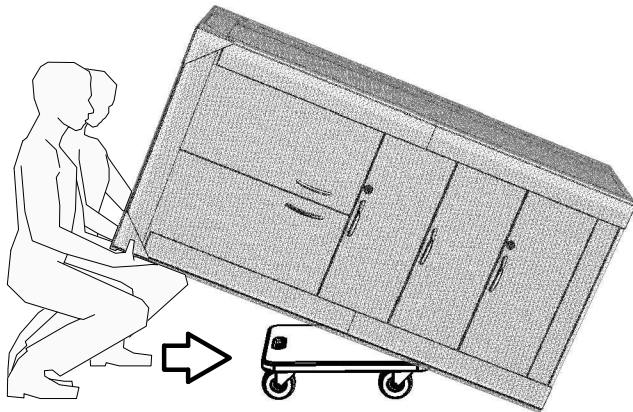
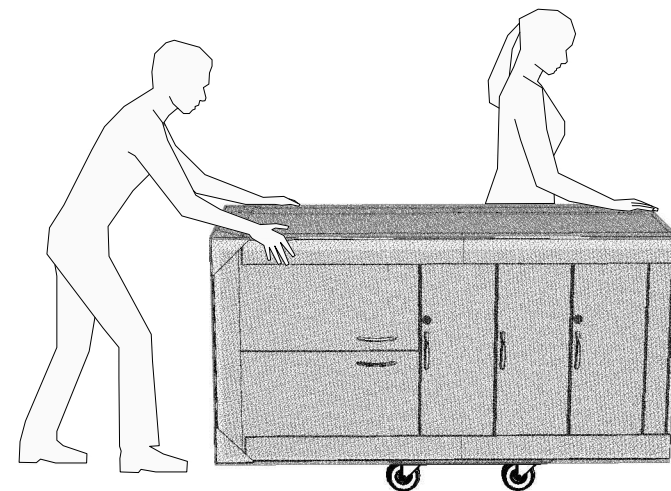
Please consult with your safety adviser for any question. Wear all necessary protective gears before performing the task. Make sure all doors and drawers are locked or taped to avoid accidental opening during transportation.

**2** Tilt the unit

Use your legs as you lower the unit on to the cart, not your back. Ask for extra help if item is too heavy.

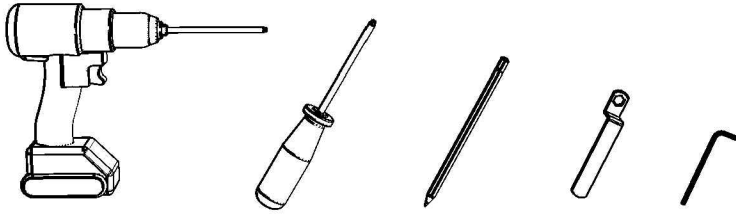
**3** Center on cart

Make sure item is balanced on cart before moving.

**4** Ready to move

1 Do you have the right tools?

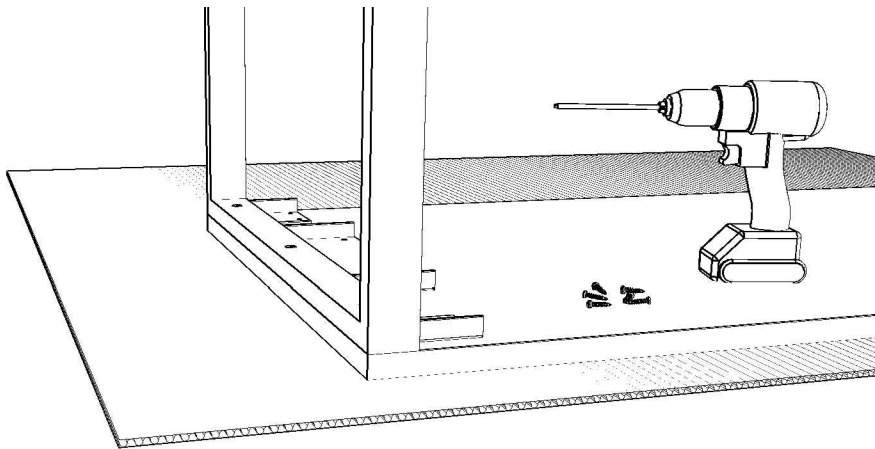
⚠ IOF do not provide tools with our products. It is the responsibility of the customer or the installers to have the right tools.

**2** Two is better than one

⚠ For all heavy units, two or more persons is recommended for transportation and installation. Wear proper safety gears as required. Safety is the top most priority.

**3** Protect your purchase

⚠ You pay for the item, protect your purchase. Use proper protection to avoid scratches and damages. Any item requiring assembly, please read and understand the instructions first.

**4** Questions? Call the right people

⚠ Instructions are available at <http://ioflive.com/instructions.html>. Custom unit drawings and reference drawings are available, call customer service if you don't have one. End users, please call your dealer for any question.

