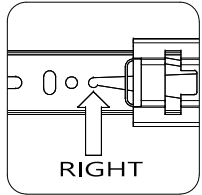
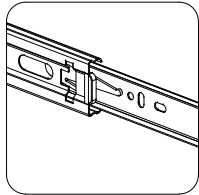
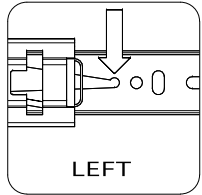
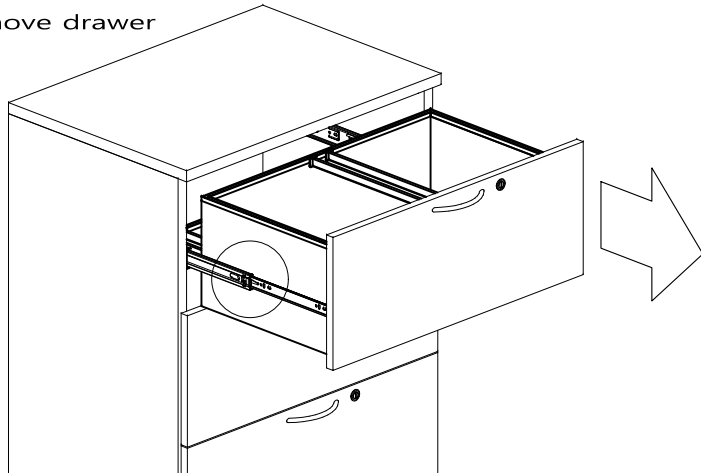
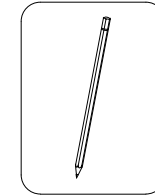
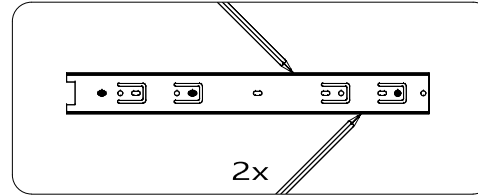
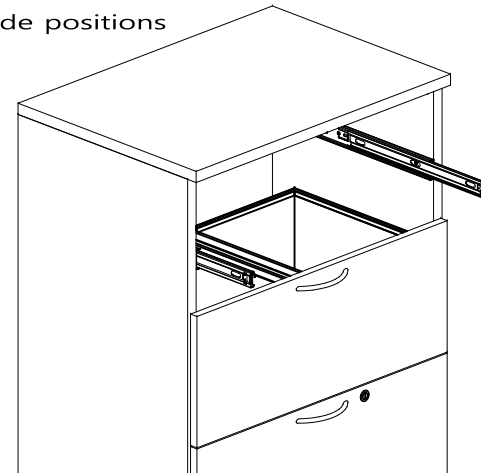


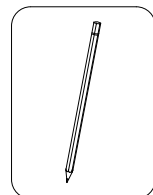
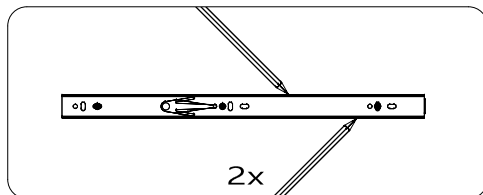
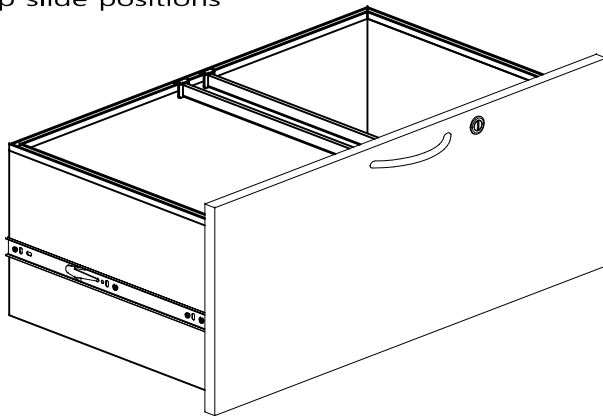
1 Remove drawer



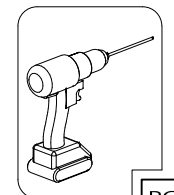
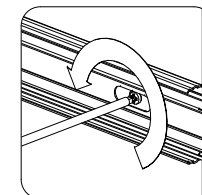
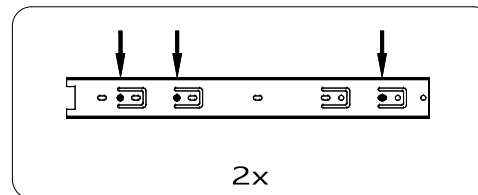
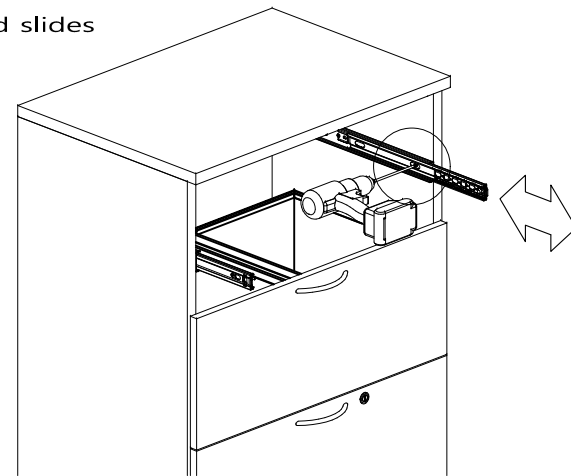
2 Mark up slide positions



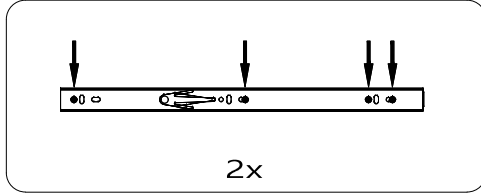
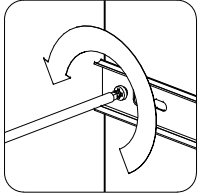
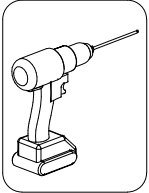
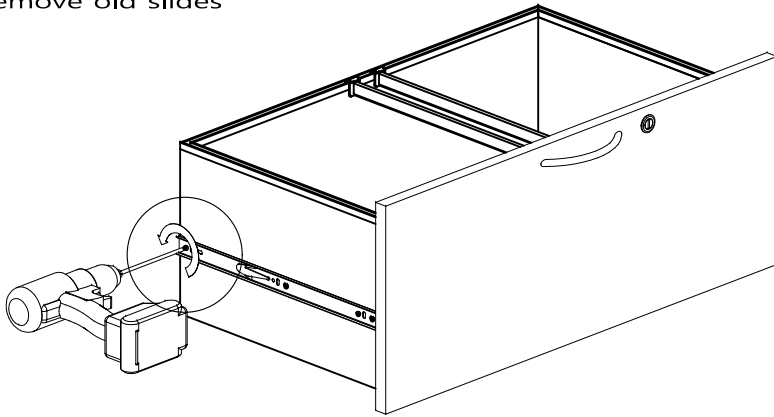
3 Mark up slide positions



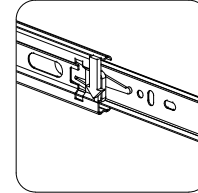
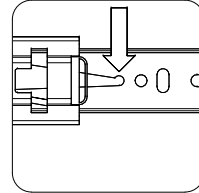
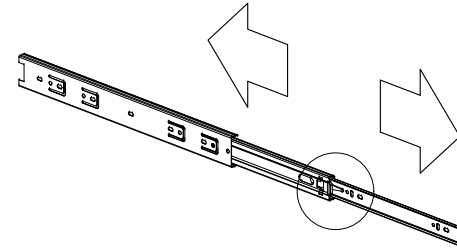
4 Remove old slides



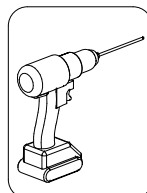
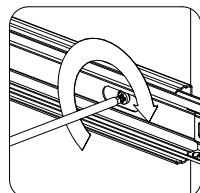
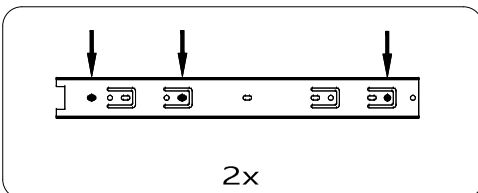
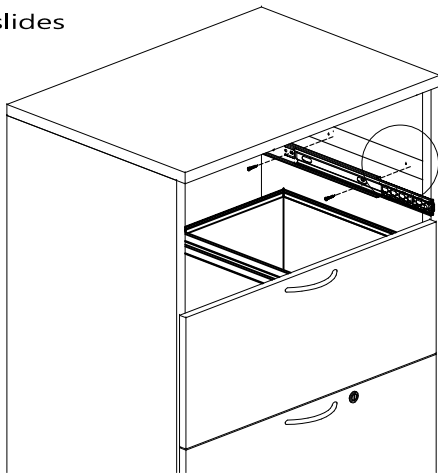
5 Remove old slides



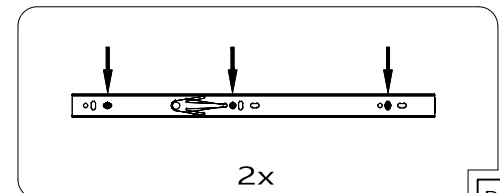
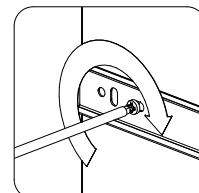
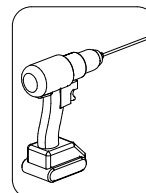
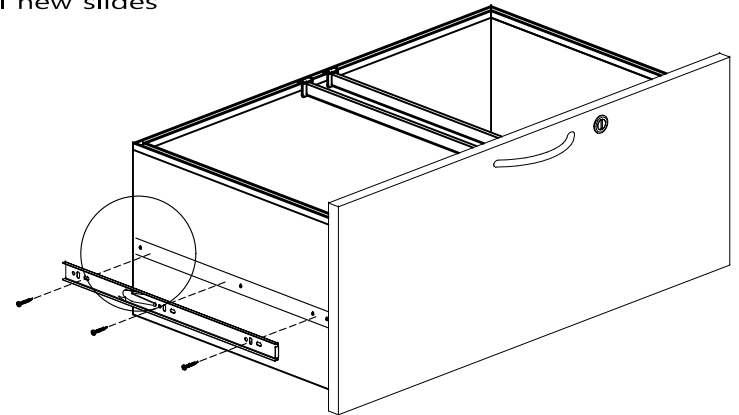
6 New slides



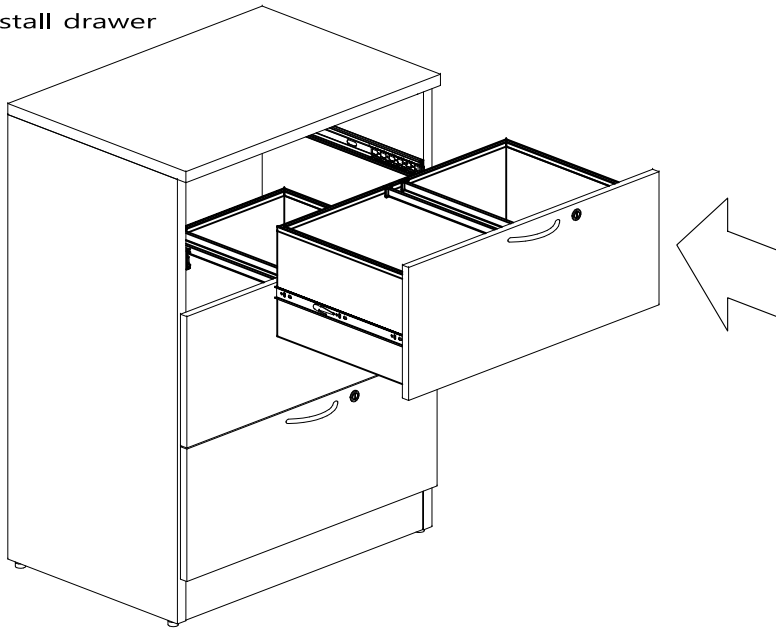
7 Install new slides



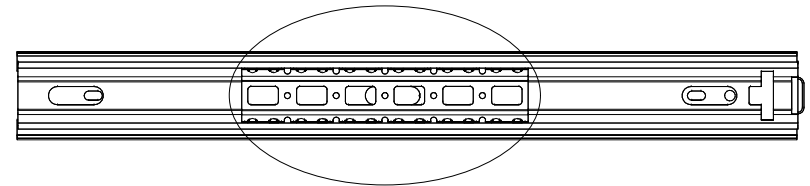
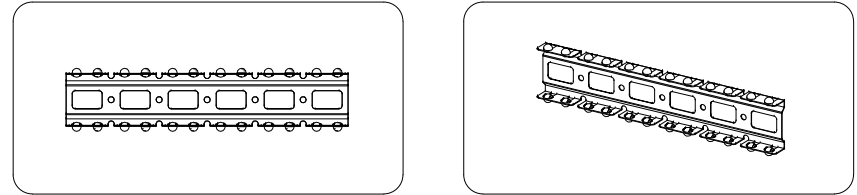
8 Install new slides



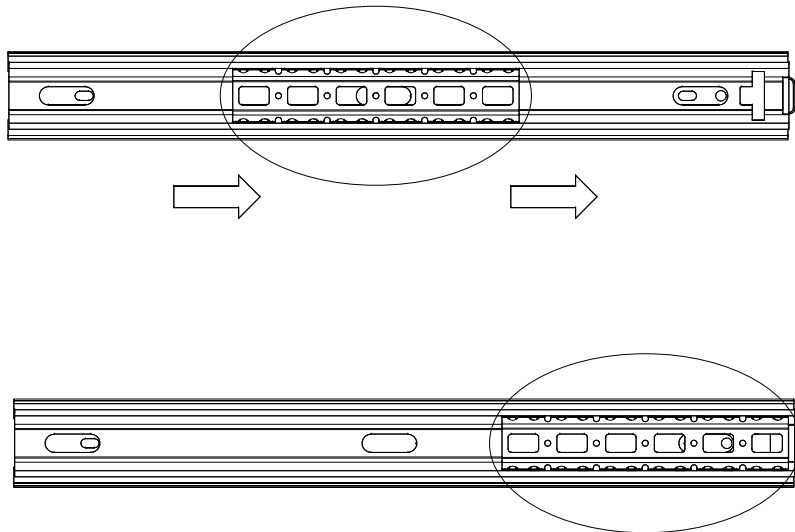
9 Install drawer



9A Locate slide bearing on the inside of slide



9B Ensure slide bearing is pushed into the "closed position"



10 Push drawer into place while slide bearing is in the "closed position"

