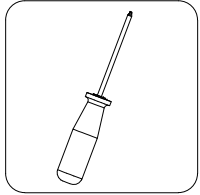
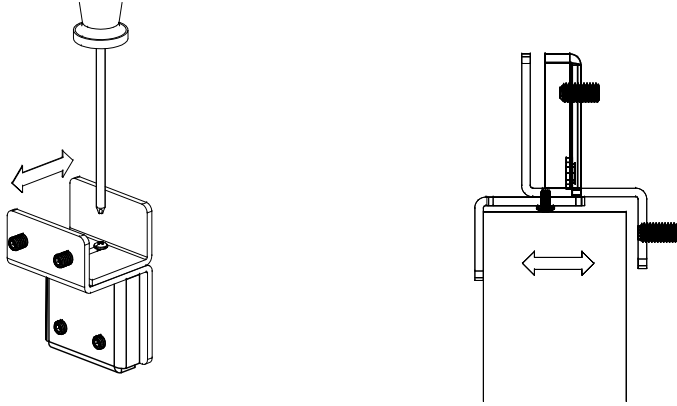
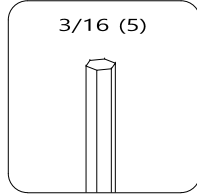
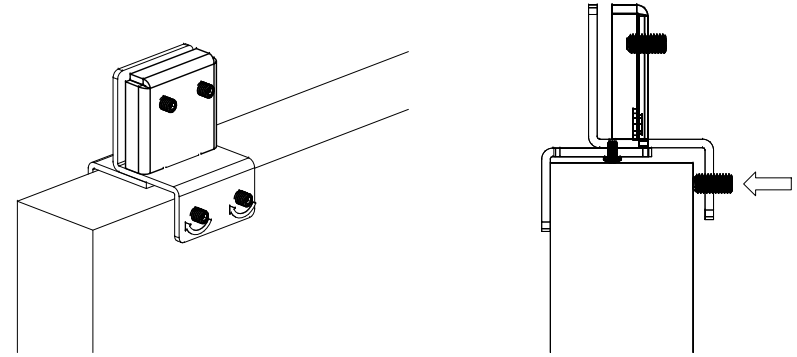


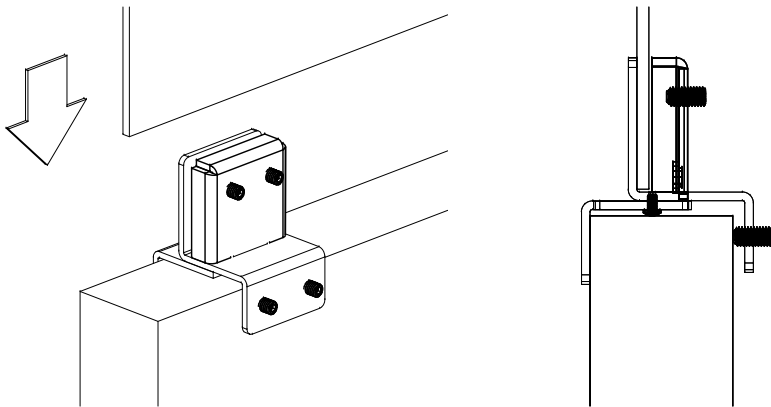
1 Adjust bracket to 1/8" to 1/4" larger than systems panel thickness



2 Tighten nylon set screws on systems panel



3 Insert acrylic panel



4 Tighten nylon set screws on acrylic panel

