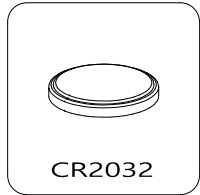
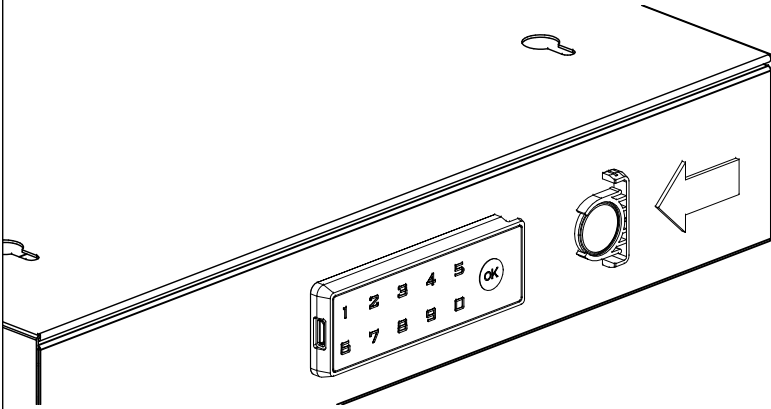
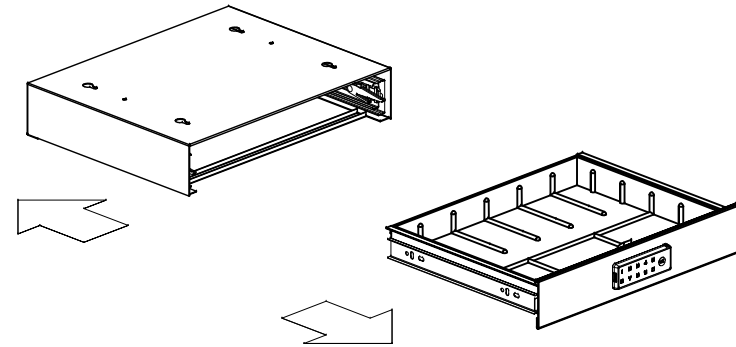


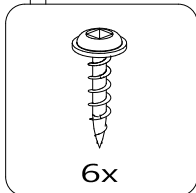
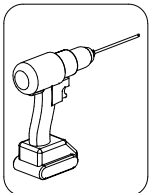
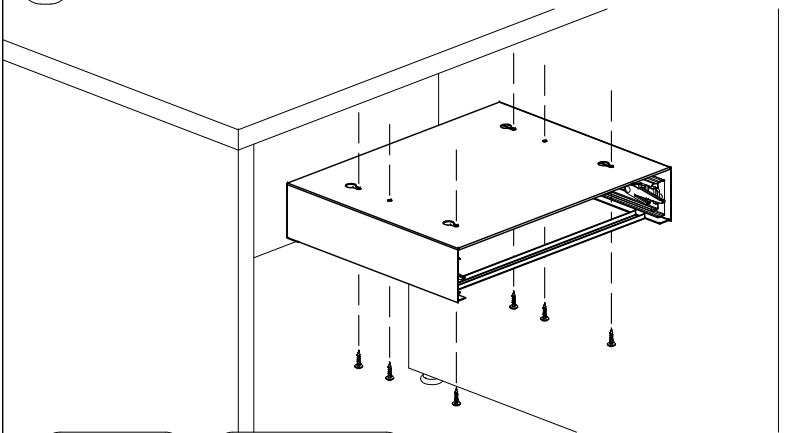
- 1 Install CR2032 battery



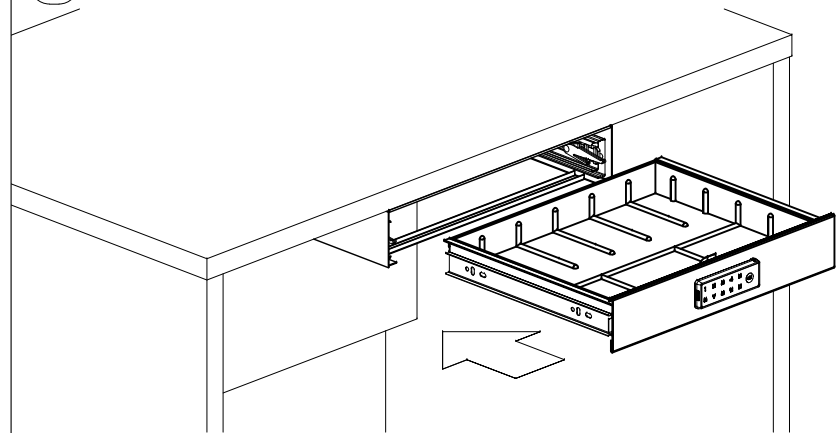
- 2 Enter factory default code (1234) + OK to open drawer
Separate drawer from casing

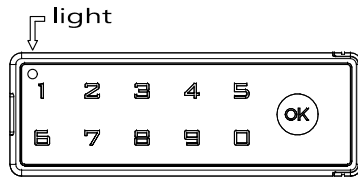


- 3 Install casing with six screws provided

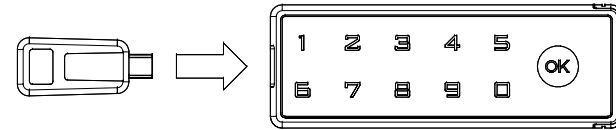


- 4 Reinstall drawer

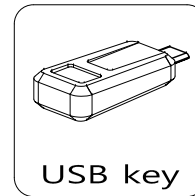


5 To change user code

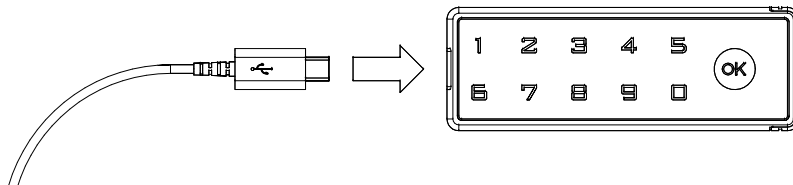
1. Enter old code (or factory default code (1234) if first time)
2. Hold "OK" for 2 seconds until light comes on
3. Enter new code (1-8 digits) + OK
4. Enter new code + OK again
5. New code is set

6 Use USB key to unlock and reset to factory default code

1. Insert USB key
2. Press "OK", code will be reset to factory default code (1234)
3. Drawer will also be unlocked



USB key

7 If battery is dead

1. Use USB power supply to temporary power lock
2. Replace battery when possible

WWW.IOFLIVE.COM