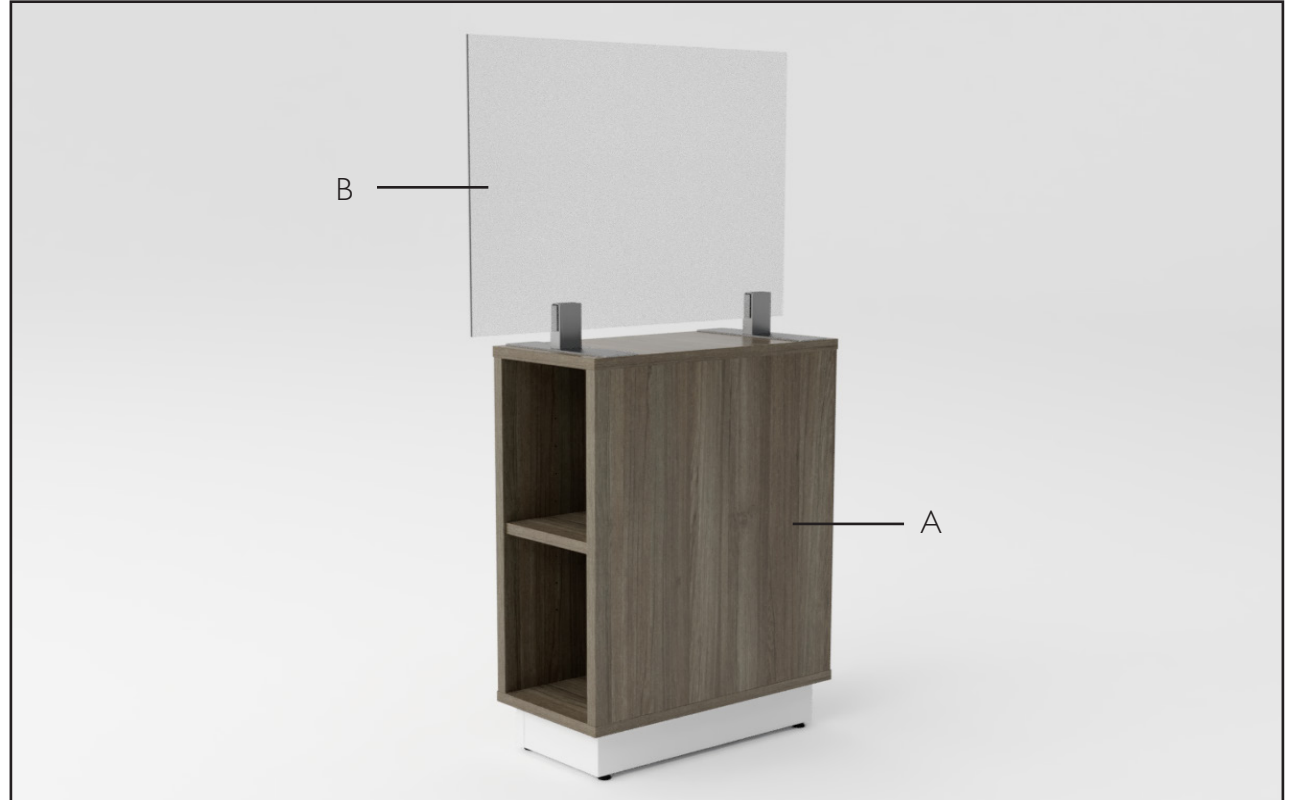
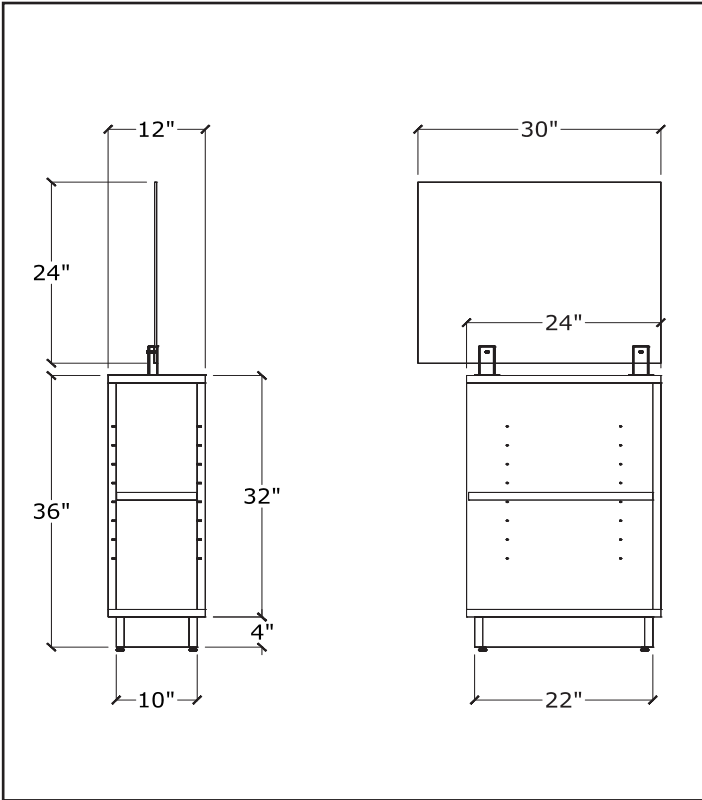




SEAT PARTITION: COLUMN BASE



ITEM	QTY	Code	DESCRIPTION	LIST	EXT LIST
A	1	W#001	CUSTOM STORAGE	\$479	\$479
B	1	PPEMBSG2430	PROTECTIVE SCREEN	\$371	\$371
				TOTAL	\$850