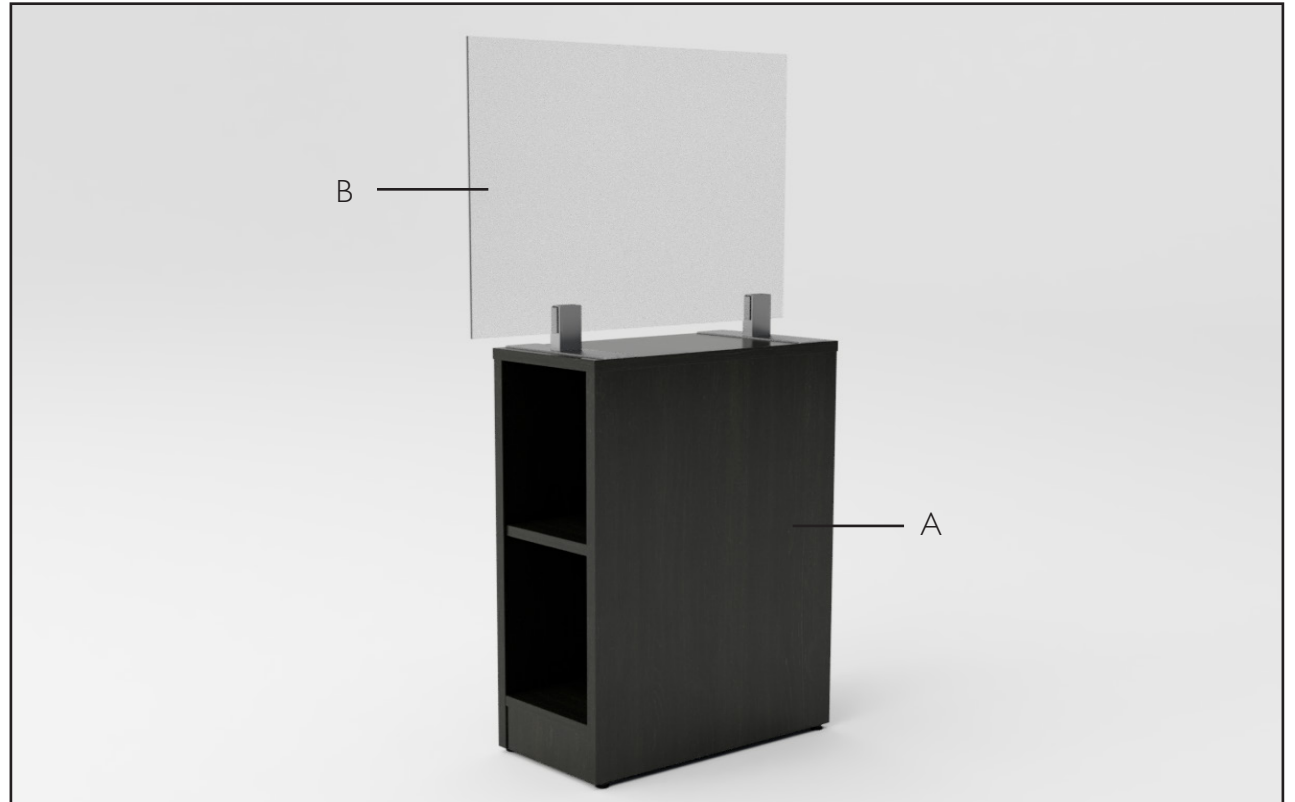
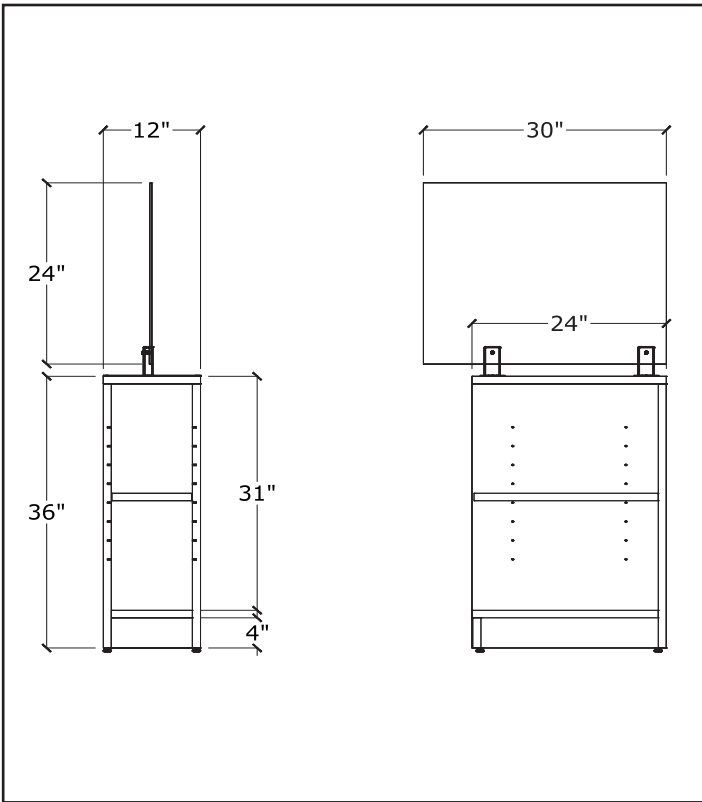




# SEAT PARTITION: 4" KICK PLATE



ITEM	QTY	Code	DESCRIPTION	LIST	EXT LIST
A	1	W#001	CUSTOM STORAGE	\$379	\$379
B	1	PPEMBSG2430	PROTECTIVE SCREEN	\$371	\$371
				<b>TOTAL</b>	<b>\$750</b>