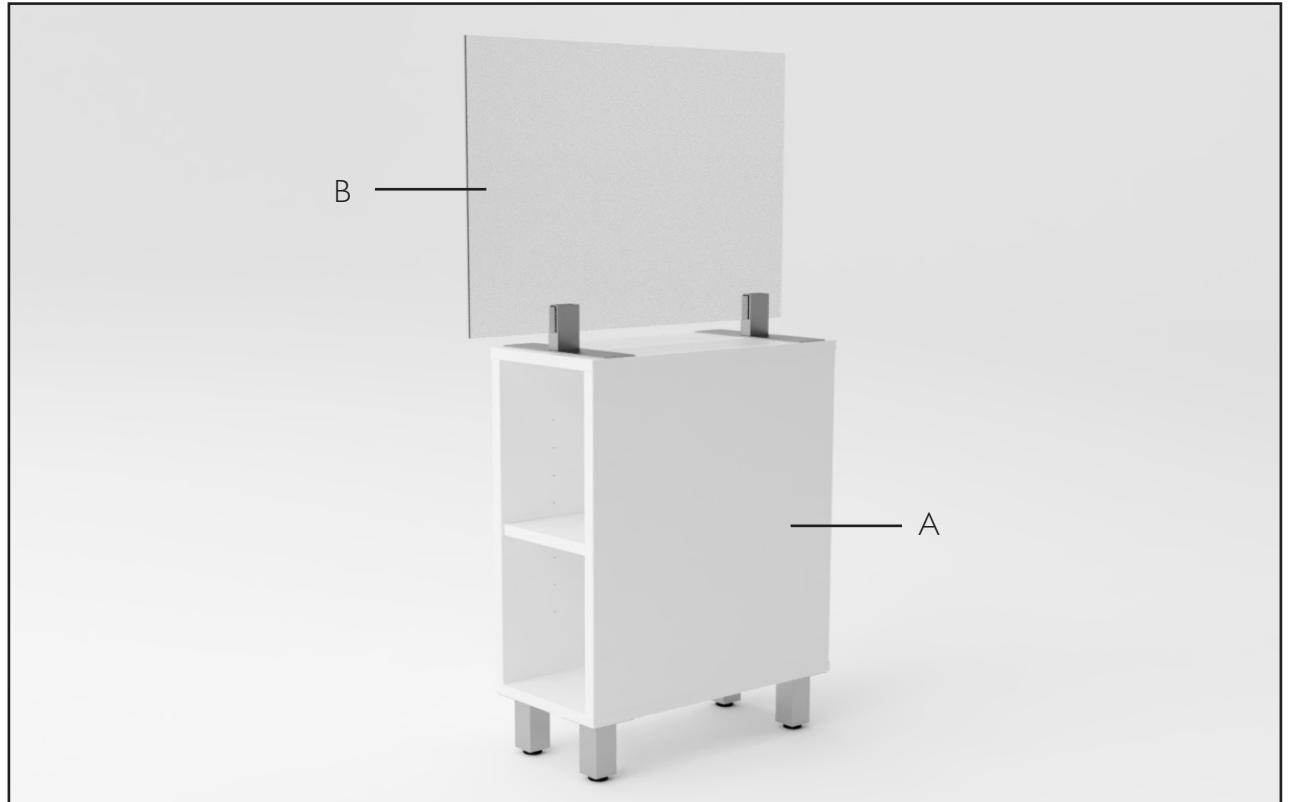
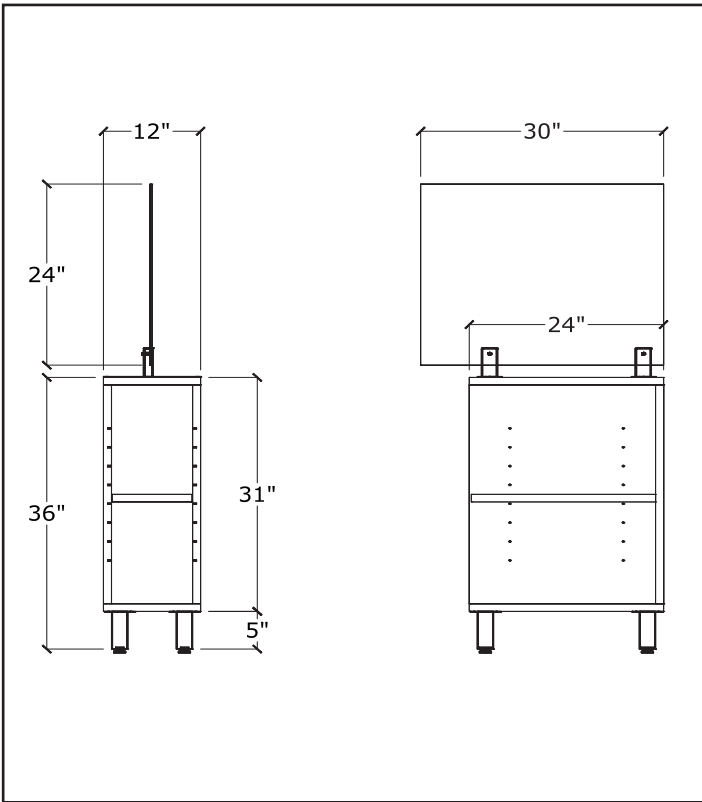




SEAT PARTITION: POST LEGS



ITEM	QTY	Code	DESCRIPTION	LIST	EXT LIST
A	1	W#001	CUSTOM STORAGE	\$654	\$654
B	1	PPEMBSG2430	PROTECTIVE SCREEN	\$371	\$371
				TOTAL	\$1'025