

# C L A S S R O O M

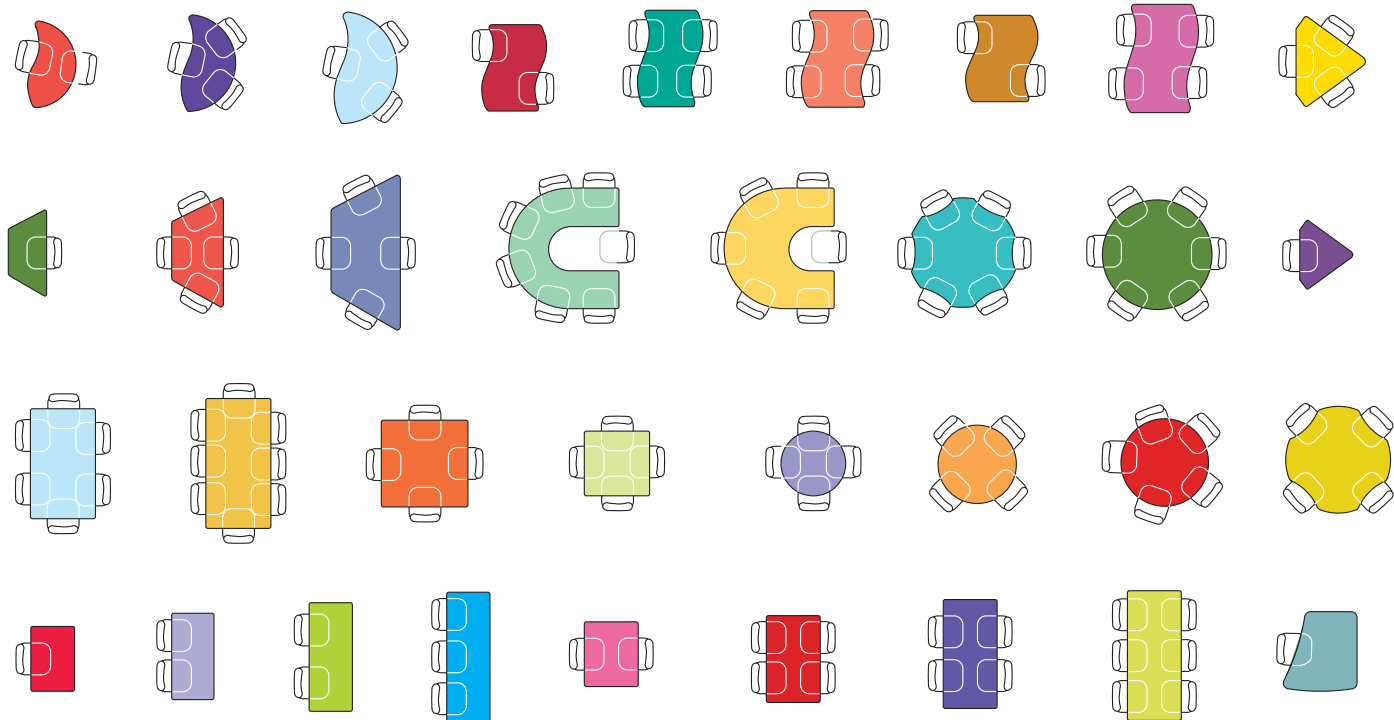


# EDUCATIONAL COLLABORATIVE SPACES

... DESIGN A SPACE THAT CREATES ACTIVE PARTICIPATIONS.

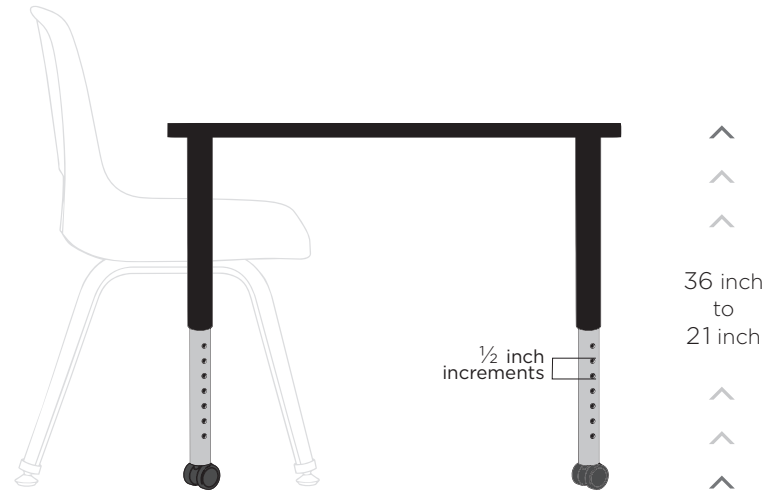
ENDLESS CONFIGURATIONS. AVAILABLE WITH ADJUSTABLE AND FIXED LEGS.

COLLABORATION BECOMES EFFORTLESS, WITH STUDENTS POSITIONED IN CLOSE PROXIMITY TO ENCOURAGE NATURAL INTERACTION AND SMALL-GROUP ENGAGEMENT.



# HEIGHT ADJUSTABLE | DESK

## TABLE | SIZING



### DESIGNED TO ADAPT OVER TIME

#### SURFACE | TOP

Durable 1 inch or 1.5 inch work surface with impact resistant 3 mm edge for easy cleaning. 37 finish options.

#### HEAVY DUTY STEEL

Base with silver or black powder coating. Adjustable inner slide in silver finish. Reinforced base plate for work surface.

#### FOOT OPTION

Caster and glide included.

#### LIFT

Adjustable using manual lift. Easily adjustable table height of 21 inch to 36 inch.



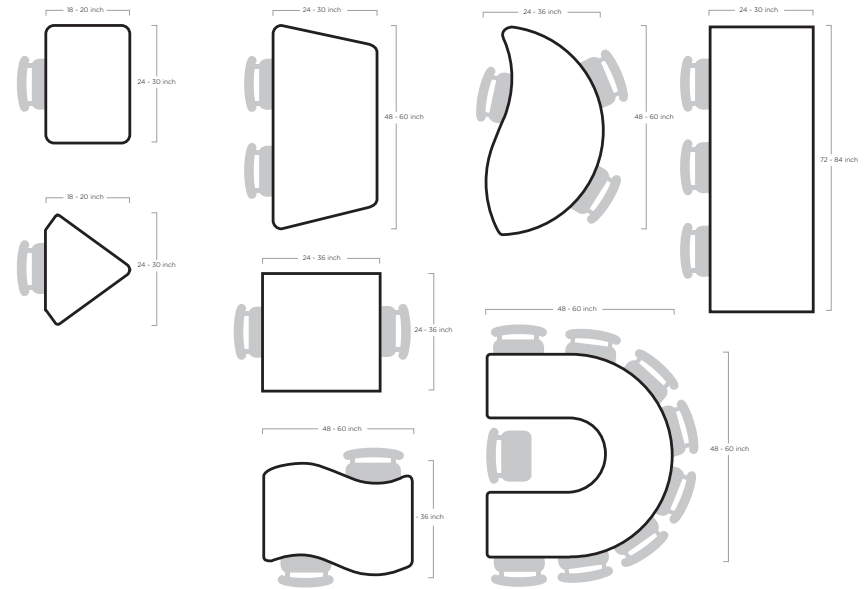
# HEIGHT ADJUSTABLE | TABLES

COLLABORATIVE LEARNING | MULTIPLE RECONFIGURATIONS



## HANDS-ON OPPORTUNITIES FOR MEANINGFUL LEARNING

Whether collaborating in groups or focusing on individual tasks, these adaptable environments nurture a variety of teaching styles. Creating classrooms where curiosity thrives, creativity grows, and exploration is always encouraged.



**COLLABORATION FLOWS NATURALLY, TABLES |** WITH STUDENTS POSITIONED IN CLOSE PROXIMITY TO SUPPORT MEANINGFUL SMALL-GROUP INTERACTION.



# HEIGHT ADJUSTABLE | TABLE

FIXED IN PLACE | FLEXIBLE SEAT TO STAND FUNCTION



## ENCOURAGING NATURAL MOVEMENT

HEIGHT ADJUSTABLE TABLE | CREATE A MORE DYNAMIC LEARNING ENVIRONMENT THAT SUPPORTS CONCENTRATION, COMFORT, AND CLASSROOM ENGAGEMENT.

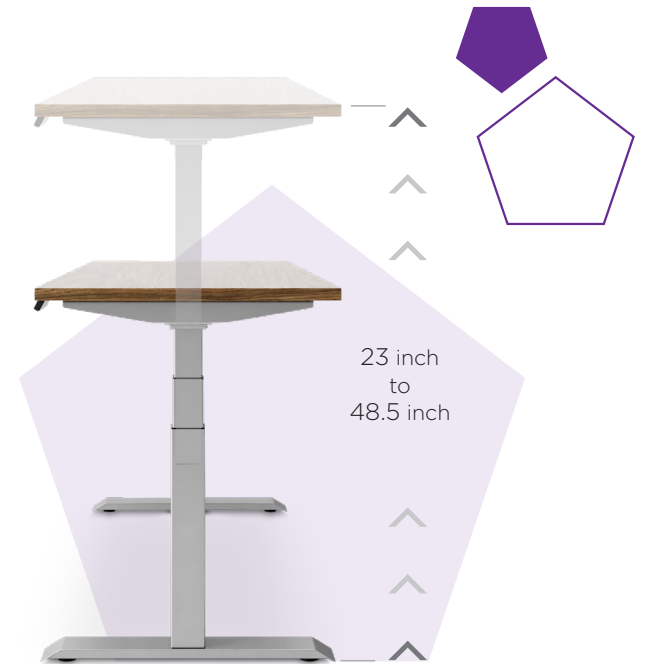
Load Capacity  
300 lbs

Control panel  
with LED Display

2 Motor System

1.4 inch  
per second

3 Stage  
Metal Leg



## INCORPORATE MOVEMENT THROUGHOUT THE DAY

With its slim foot profile, the table is designed to adjust to the user's preferred working height, without putting strain on the user. It promotes ergonomic comfort, one is able to work healthier and more effectively.

# CARDI TABLES | FLIP, STAY, & ROLL

## FLIP | NESTING FLIP TOP TABLES



### TWO STYLES

#### SMALL

- 29 inch high with top
- Used with 48 inch and 54 inch models
- Custom sizes between 48 to 59 inch will receive this base

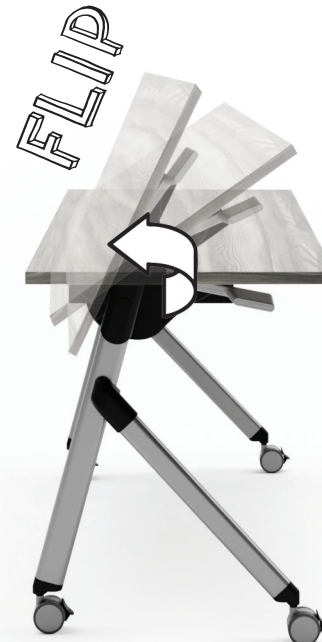
#### LARGE

- 29 inch high with top
- Used with 60 inch to 72 inch models
- Custom sizes between 60 to 72 inch will receive this base

■ Please contact sales for more details.

### FEATURES

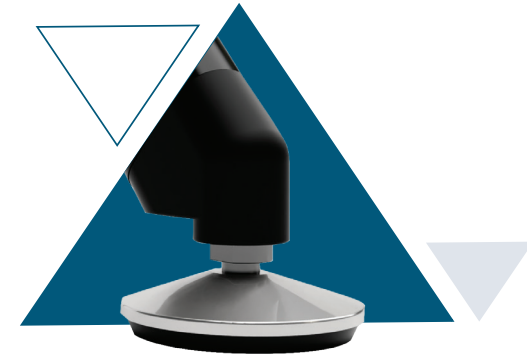
- Steel Powder Coated Y Leg
- Dual Flippers with Single Side Release
- Black or Silver Power-coated Steel Base Finishes
- Ridgid Metal Modesty Panels Available
- Requires Assembly | Pre-assembled Components



# CARDI TABLES | FLIP, STAY, & ROLL

## STAY | ANTI-SLIP LEVELING MOUNTS

---

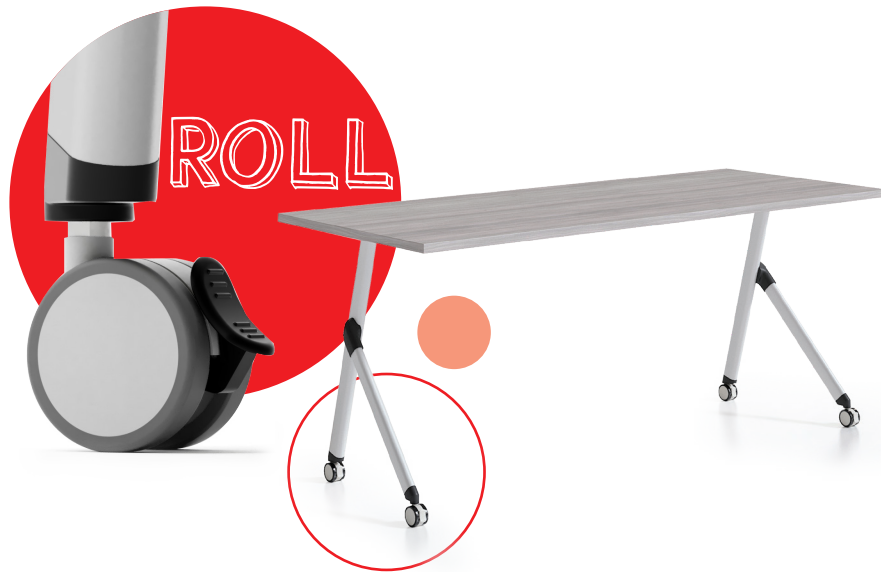


Our **STAY** base features premium glides that offer superior stability, adjustability, and floor protection. Built for performance and aesthetics, these glides ensure effortless leveling on uneven surfaces while maintaining a clean, modern look.



# CARDI TABLES | FLIP, STAY, & ROLL

## ROLL | WORKSPACE TABLES WITH CASTORS

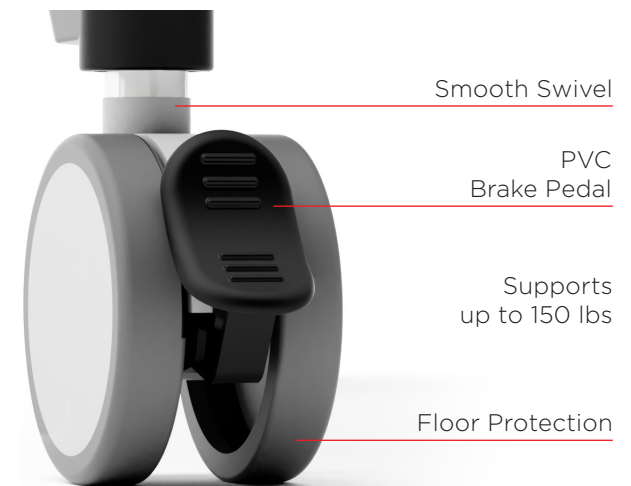


### SMOOTH SWIVEL CASTORS

The 360° swivel heavy duty casters makes it easy to move from place to place, while four easy lock casters ensure stability when static.

### BREAK THE BAD HABIT OF BEING SEDENTARY!

Roll table base features high-quality casters for easy movement and flexible space configurations. Whether you're reconfiguring a group or creating dynamic learning environments, these castors provide quiet operation and a clean, professional finish.



# PNEUMATIC SIT-STAND | MOBILE DESK

29 INCH TO 42 INCH | HEIGHT ADJUSTABLE



Effortless pneumatic height adjustment via lever-operated gas lift. No need for electricity. Sturdy aluminum frame. 100 LB weight capacity.

# TEACHER | DESK AND PODIUM

COMMAND CENTER | YOU'RE ON THE MOVE



MOBILE | TEACHER SINGLE AND DOUBLE PEDESTAL DESKS

## IOF TEACHER DESK AND PODIUM ARE BETTER TOGETHER

Our teacher desks are thoughtfully designed to support the way educators work today. Combining functionality with flexibility, each desk features spacious storage to keep classroom essentials organized and within reach.

With secure storage and ergonomic comfort, create a teacher desk that is efficient, adaptable and keeps your teaching flowing.

# TEACHER | DESK AND STORAGE

**ORGANIZED** | READILY AVAILABLE TO STUDENTS

---



## MOBILE WORKSTATIONS

Teaching on the move has become the new norm, and we're here to support it. Mobile workstation offers a portable, practical home base. Helping educators stay organized, comfortable, and ready to inspire as they transition seamlessly between environments.



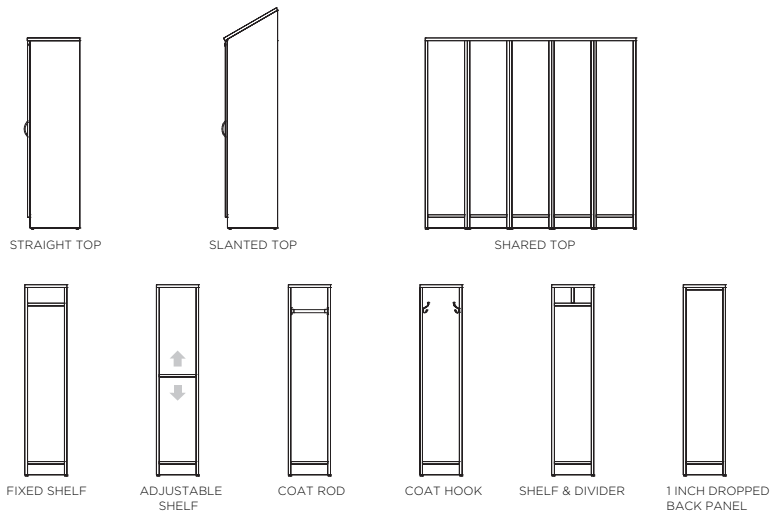
# STORAGE | INDIVIDUAL

## LOCKERS | OPEN AND LOCKABLE DOORS



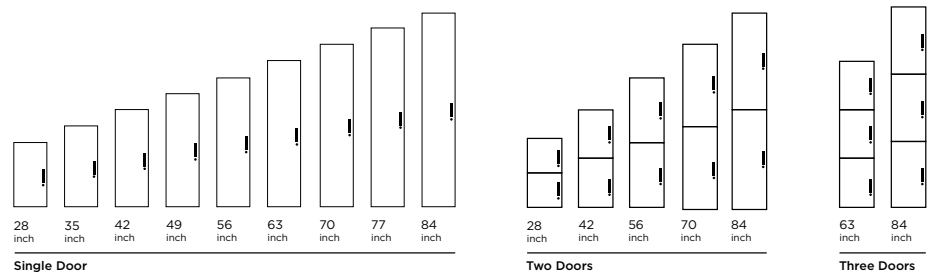
When shared spaces need storage that works beautifully, this locker system delivers.

With compartments, shelving, built-in coat hooks, and four lock options, made for users on the go.



**WIDTH:** 12 INCH, 15 INCH, 18 INCH, & 21 INCH | **DEPTH:** 15 INCH, 18 INCH, 21 INCH & 24 INCH

### LOCKER SIZES



**STANDARD PULLS** | AVAILABLE ON 42 INCH HEIGHT

**SLATED TOP** | THE ANGLED SLOPING TOP IS DESIGNED TO MINIMIZE DUST ACCUMULATION AND DETER USERS FROM PLACING ITEMS OR VISUAL CLUTTER ABOVE THE LOCKER.



DIGITAL LOCK



MECHANICAL COMBO LOCK



HASP LOCK



KEY LOCK

# STORAGE


## ROOM DIVIDER

---

Looking for a functional and modern design approach to partition rooms and divided spaces.

A bank of customized storage units can be a great solutions for this purpose.





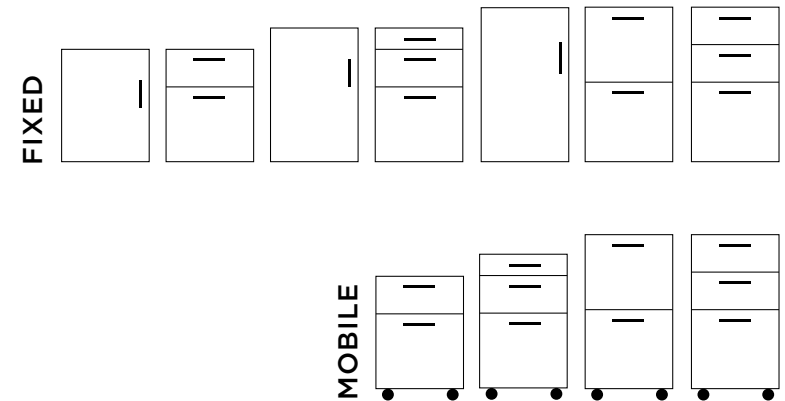
Towers provide a smart, larger storage areas while space-efficient storage solution. maintaining easy access and flexibility. Available in a variety of configurations, Towers offer a practical and streamlined way to organize the classroom.

# STORAGE | MINI PERSONAL

STATIONARY AND MOBILE | CLOSED



WIDTH | [10 TO 16 INCHES] X HEIGHT | [20 TO 29 INCHES]



## MINI STORAGE

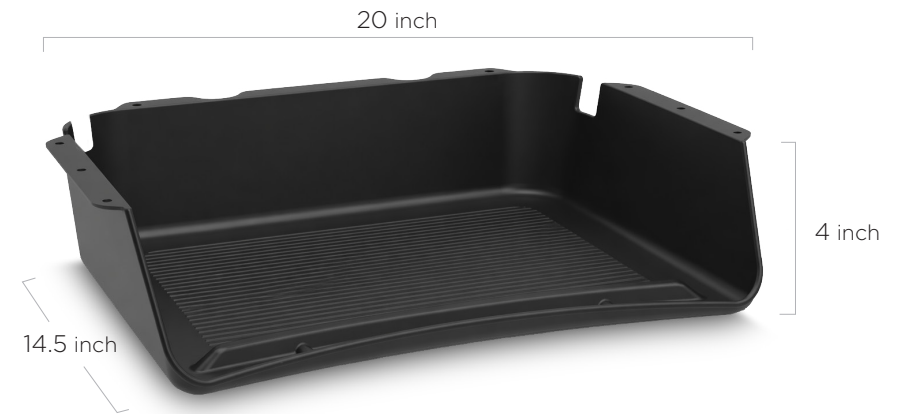
Mini Storage offers more than accessible storage for smaller environments. These versatile units can also function as space-defining elements, helping to create a natural privacy barriers as an alternative to traditional partitioning solutions.

## MINI PERSONAL

Mini Personal storage solutions are designed to maximize space without compromising convenience. Ideal for classrooms of all sizes, these compact pedestals can be placed under, beside, or behind the user's workspace.

# STORAGE | STUDENT

## UNDER MOUNTED | PLASTIC BOOK BOX



### UNDER-MOUNTED DESK STORAGE

Maximize workspace efficiency with this convenient add-on storage shelf. Designed to mount discreetly beneath the desk, it provides storage without taking up valuable desktop space. Made from durable, long-lasting plastic and easily installed for reliable everyday use.



[www.ioflive.com](http://www.ioflive.com)



© 2026 IOF Business Furniture MFG Inc. | 1710 Bonhill Road, Mississauga, ON L5T 1C8 |  
1.800.764.2392 | phone. 905.672.0942 | fax. 905.672.5806 | email. [info@iofonline.com](mailto:info@iofonline.com)  
The images shown are for illustration purposes only and may not be an exact representation of the product.