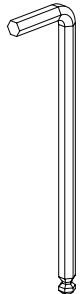
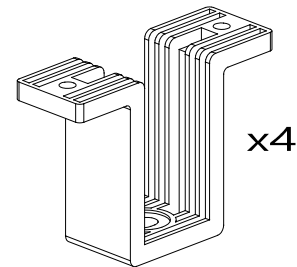
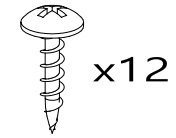
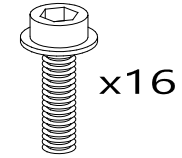
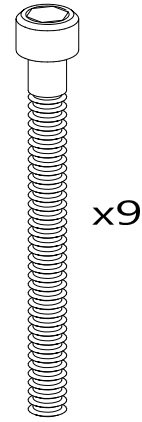
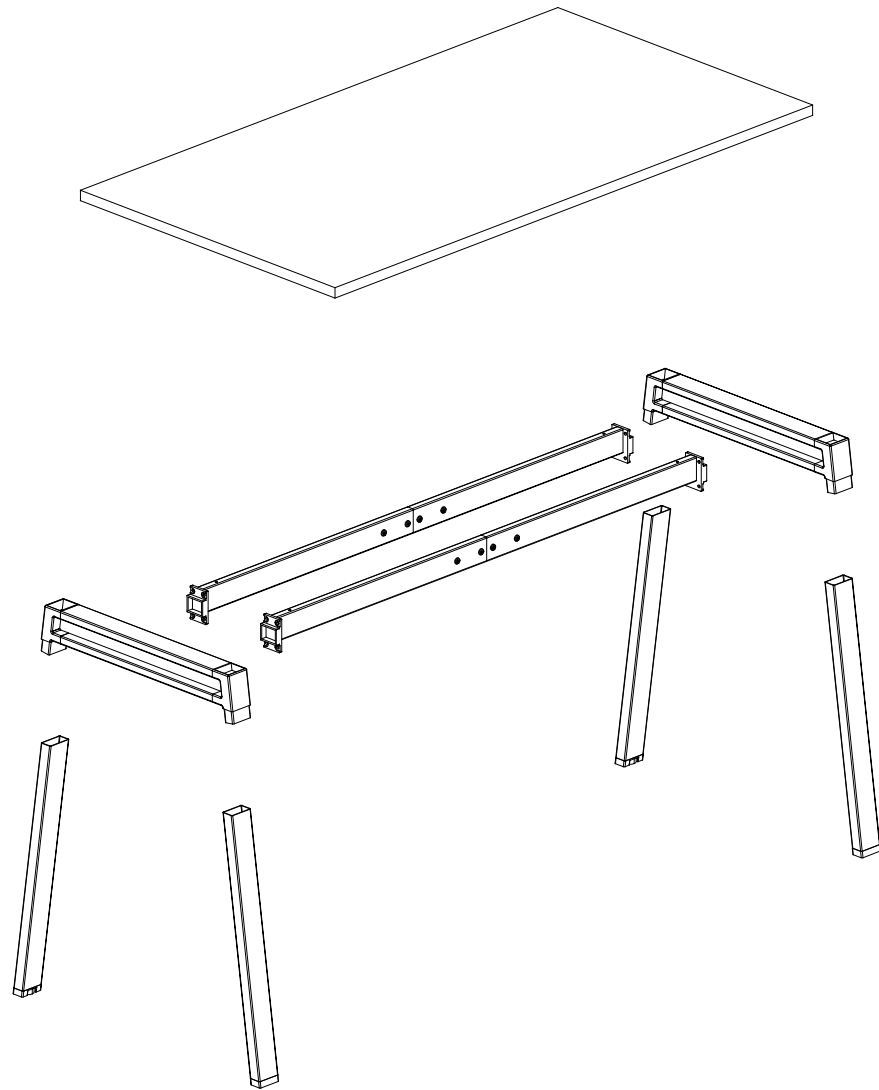
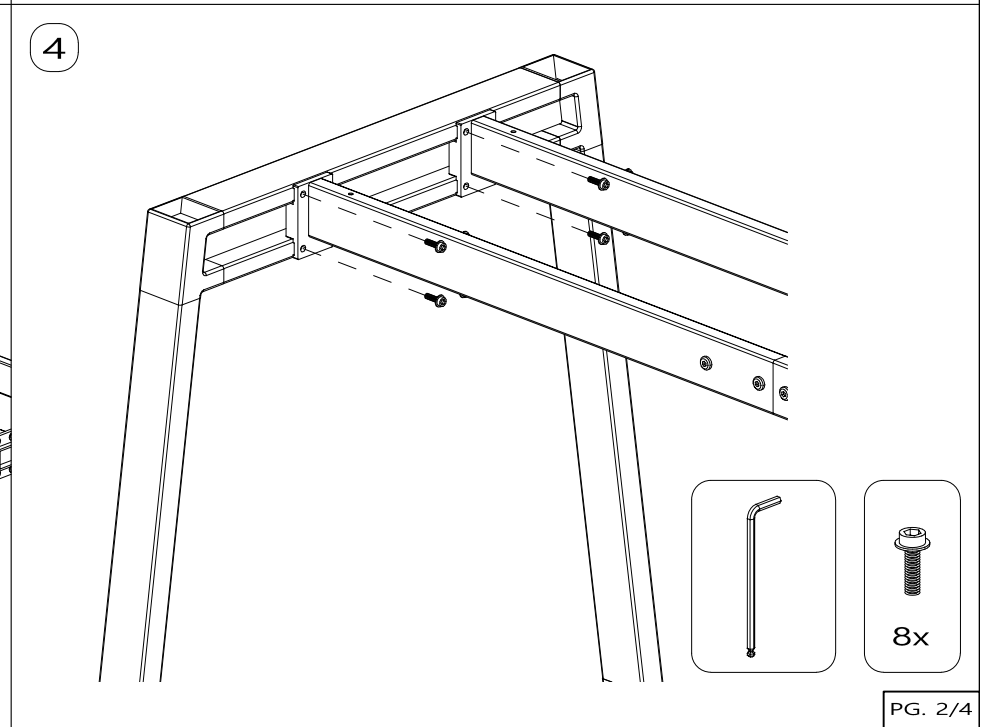
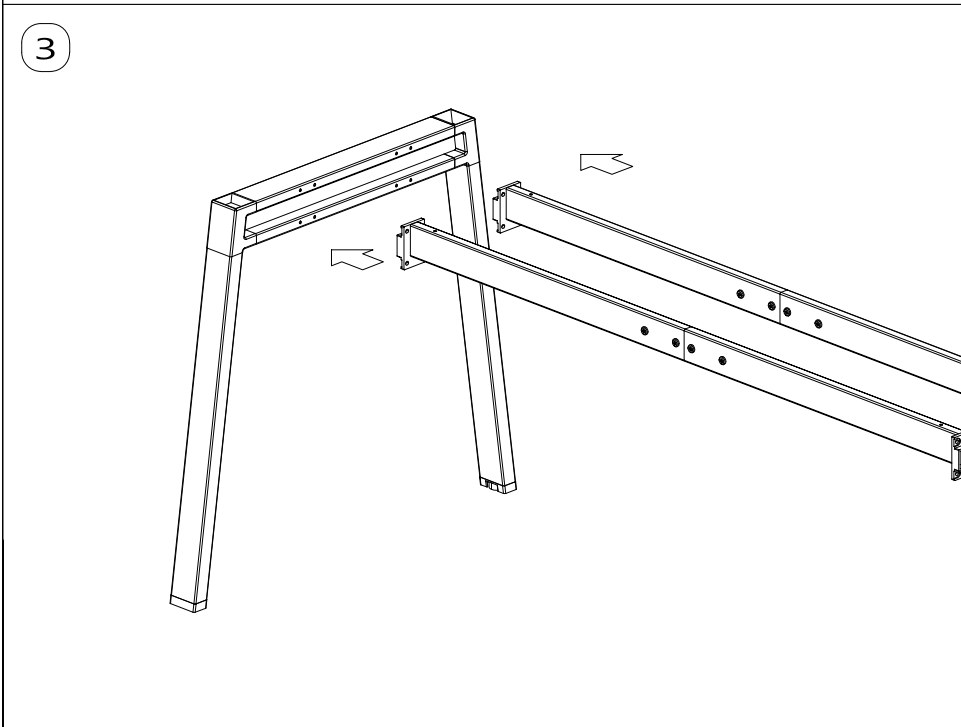
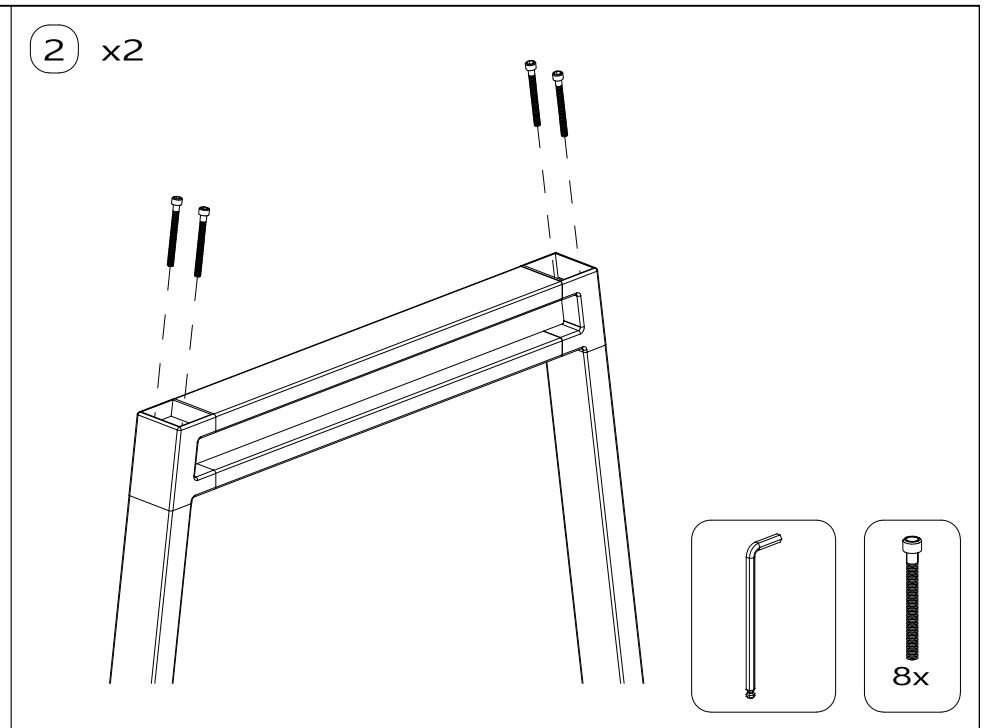
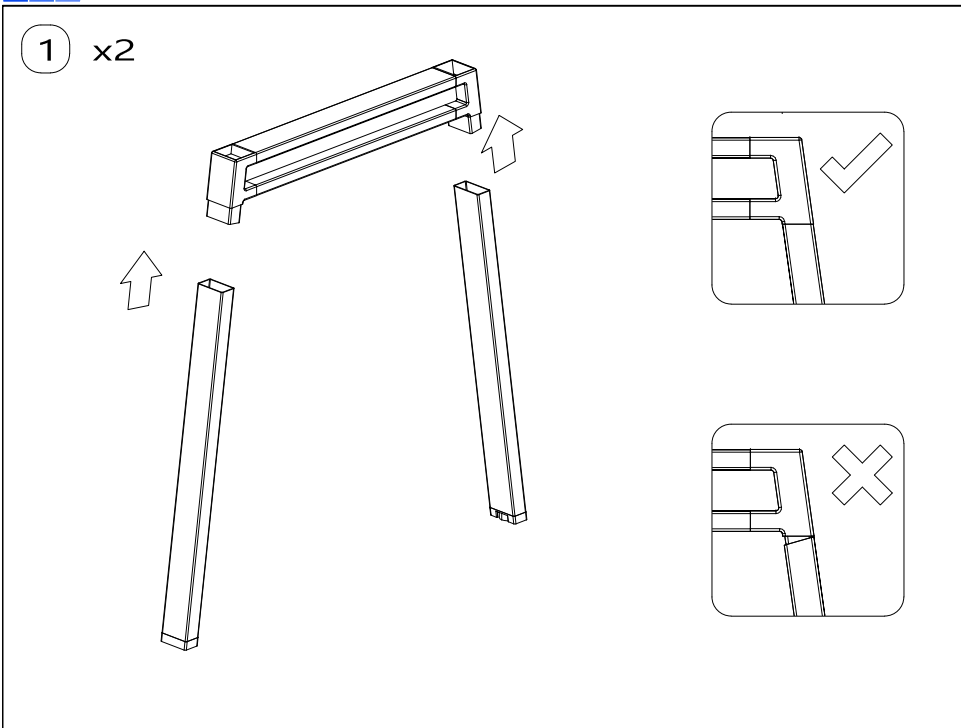
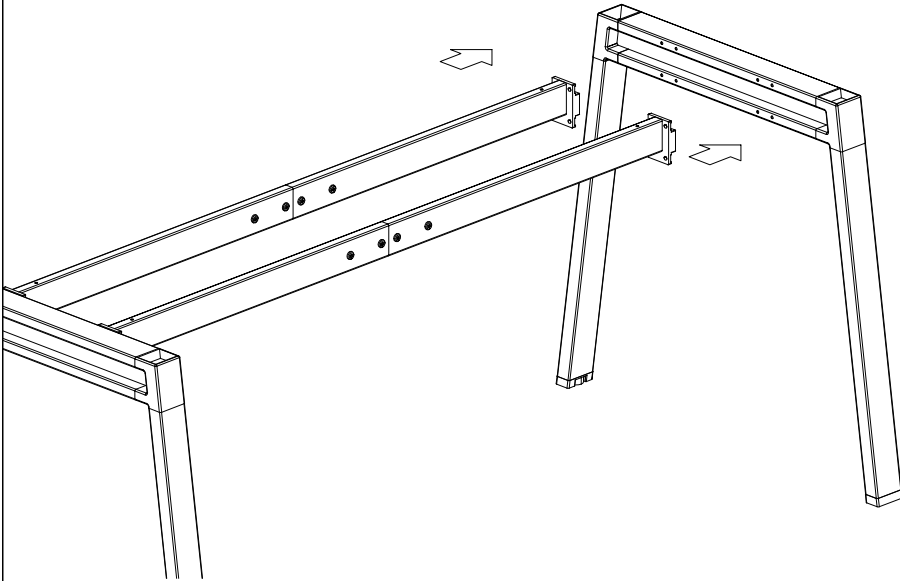


TABLE

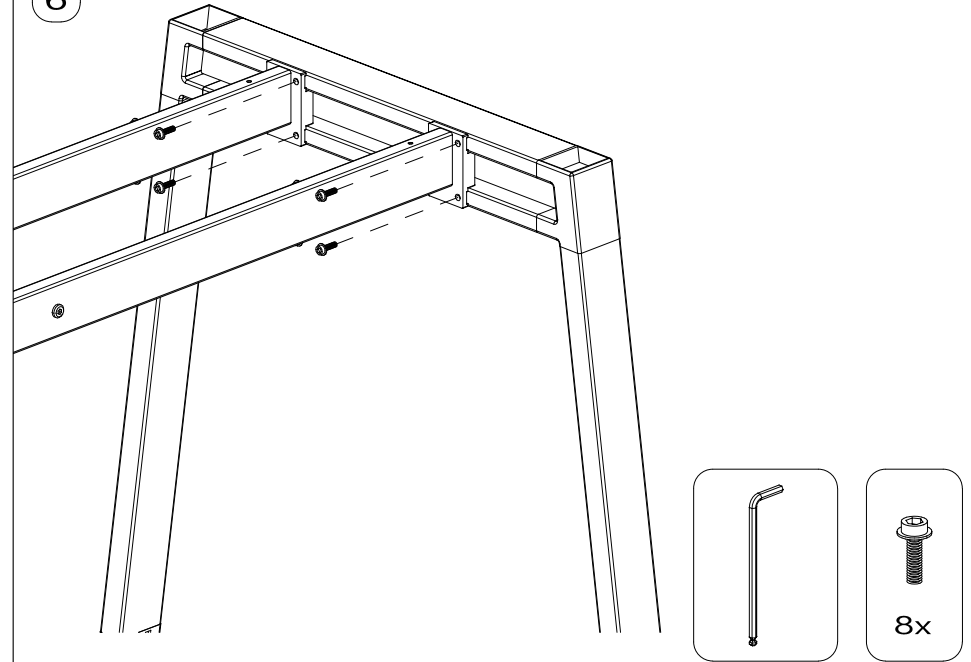




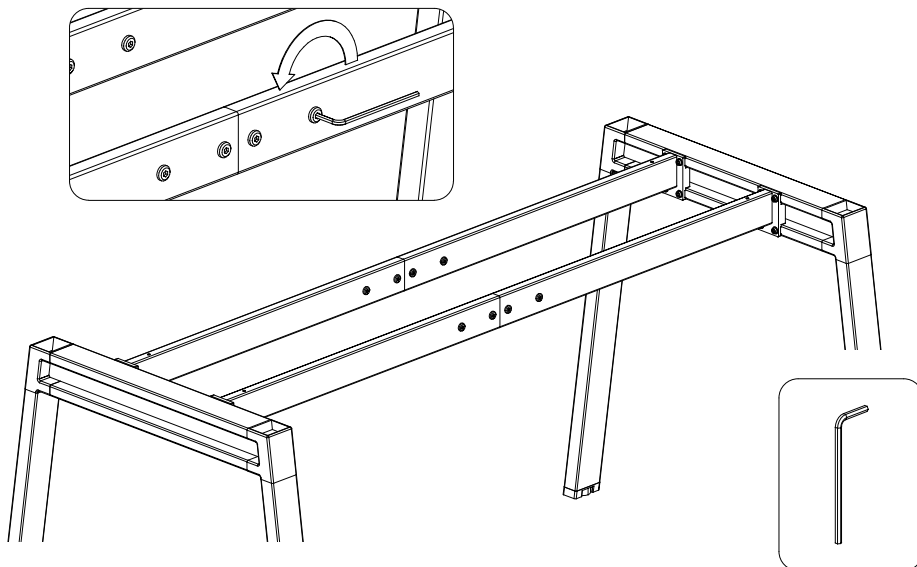
5



6



7 Loosen screws (x16) half turn
(do not loosen completely)



8 Adjust length as needed
(tighten screws afterward)

